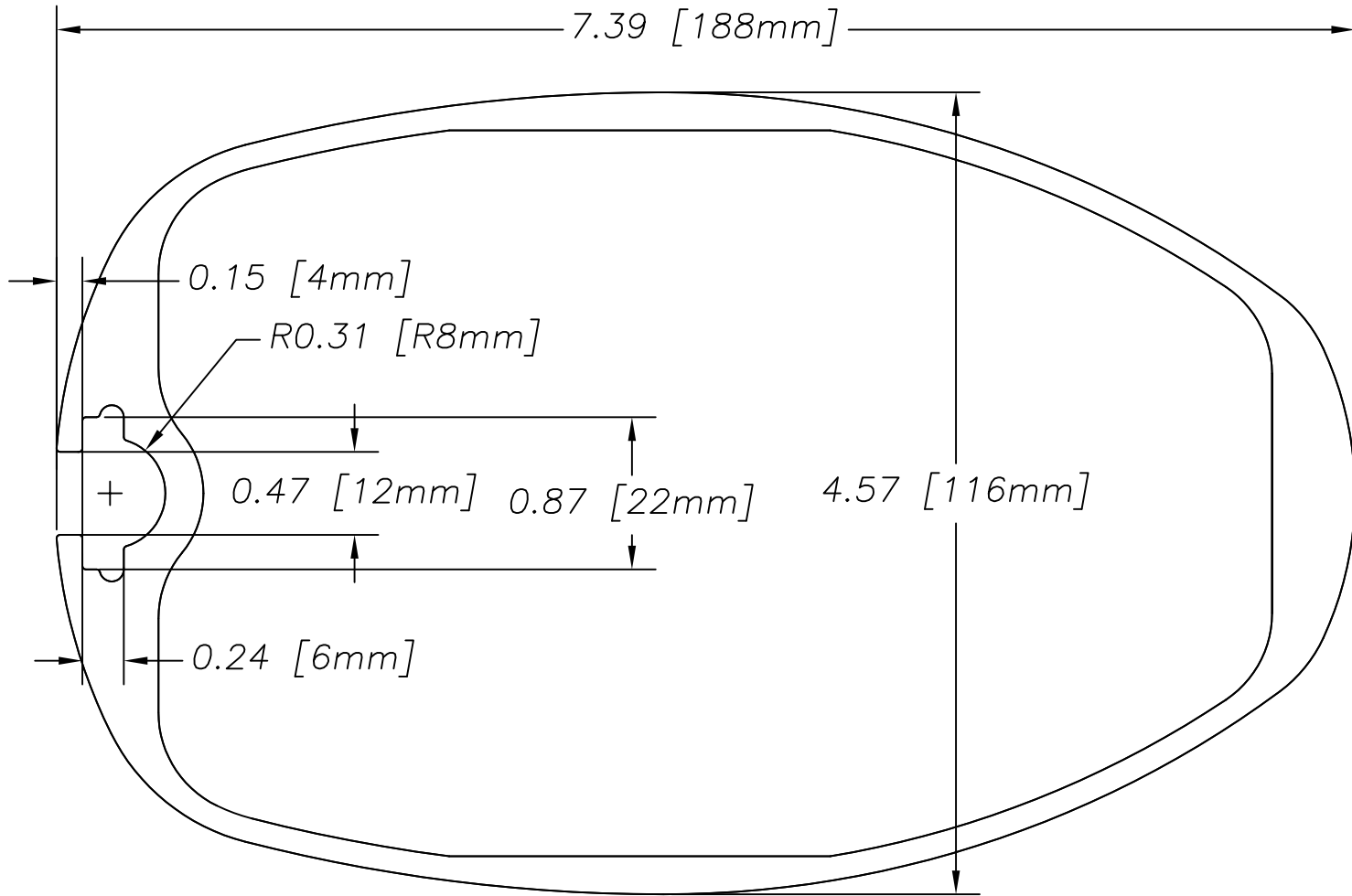




# #188 Extrusion

$$I_{xx}=29.32 \text{ in}^4 \quad I_{yy}=9.27 \text{ in}^4$$

$$A=4.14 \text{ in}^2 \quad Wt/Ft= 4.77 \text{ lb}$$



OFFSHORE SPARS USA  
50200 E. RUSSELL SCHMIDT BLVD  
CHESTERFIELD TWP, MI 48061 USA  
TEL: 586-598-4700  
FAX: 586-598-4705

OFFSHORE SPARS EUROPE  
OT OFFSHORE SPARS AB  
68600 JAKOBSLAD FJORDLAND  
TEL: 359-6-7989900  
FAX: 359-6-7989919

OFFSHORE SPARS WEST  
617 38TH STREET  
MANHATTAN BEACH, CA 90266 USA  
TEL: 310-839-9853  
FAX: 310-839-9853

## #188 Extrusion