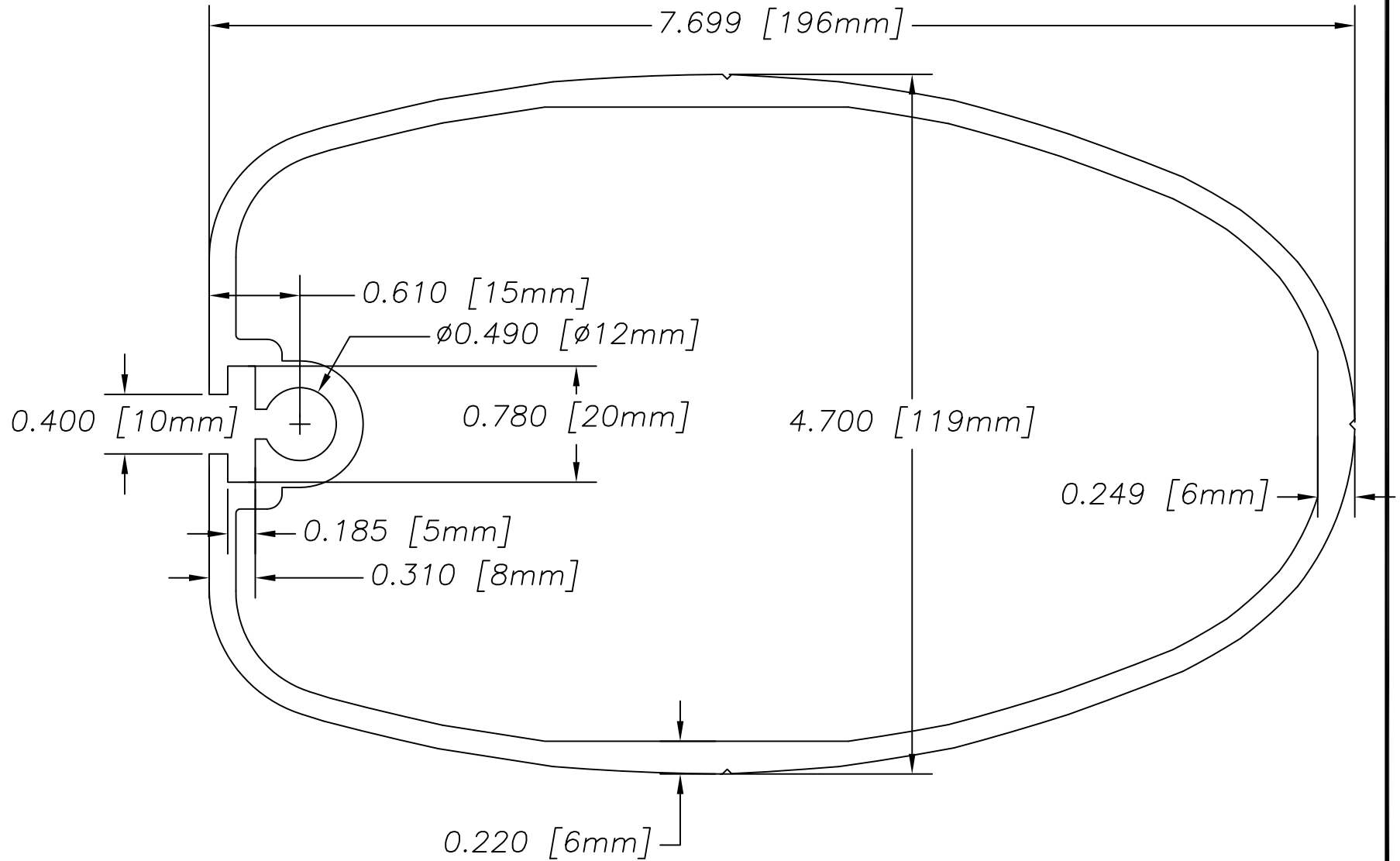




#7747 Extrusion

$I_{xx} = 26.60 \text{ in}^4$ $I_{yy} = 10.83 \text{ in}^4$

Area = 3.87 in^2 Wt/Ft = 4.48 lb



OFFSHORE SPARS USA
50200 E. RUSSELL SCHMIDT BLVD.
CHESTERFIELD TWP, MI 48061 USA
TEL: 986-598-4700
FAX: 986-598-4705

OFFSHORE SPARS EUROPE
OT OFFSHORE SPARS AB
98800 JAKOBYNAD FOUULAND
TEL: 359-6-7989900
FAX: 359-6-7989919

OFFSHORE SPARS WEST
617 38TH STREET
MANHATTAN BEACH, CA 90266 USA
TEL: 310-839-9853
FAX: 310-839-9853

#7747 Extrusion