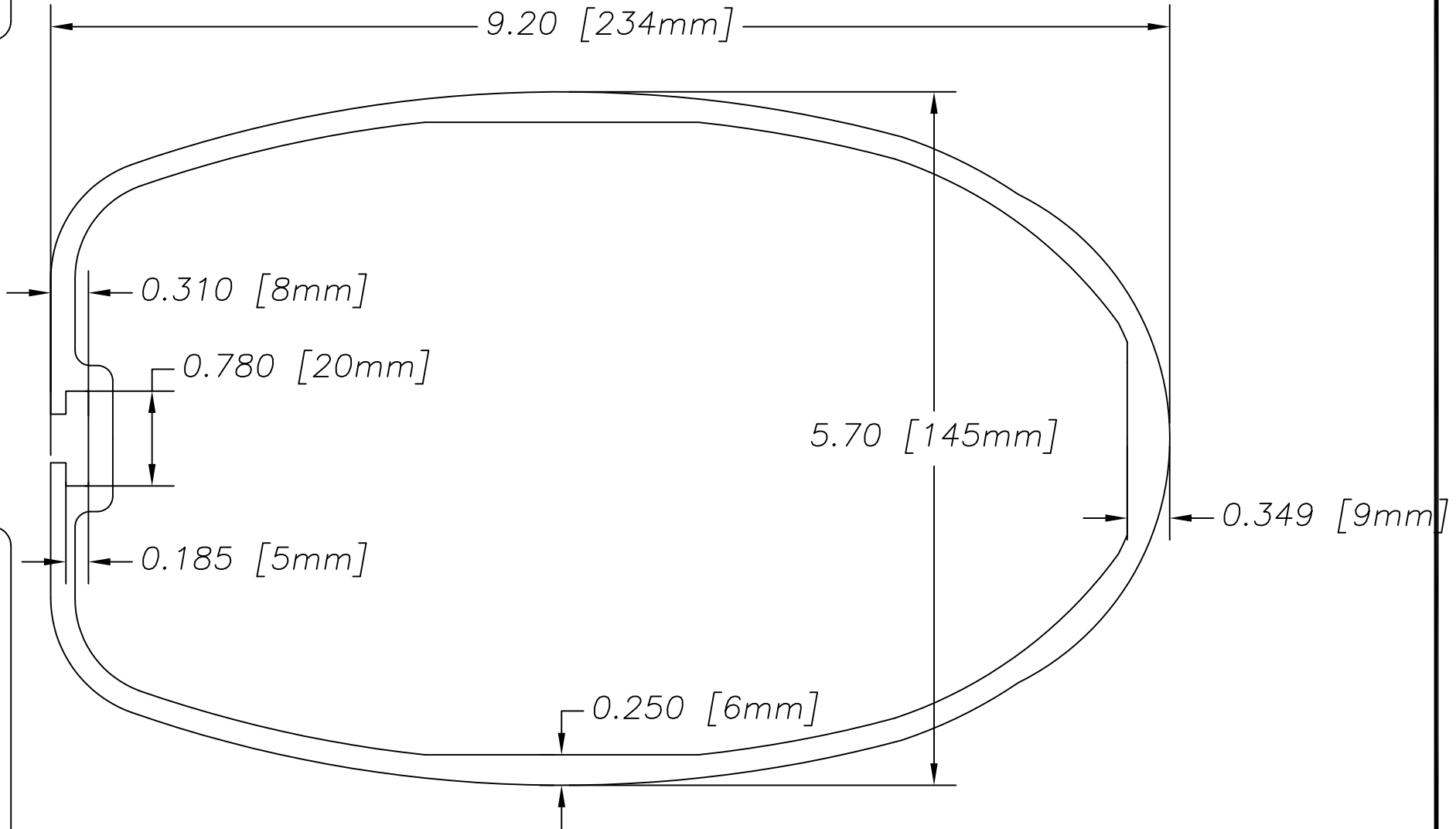




#9257 Extrusion

$I_{xx}=53.82 \text{ in}^4$ $I_{yy}=22.76 \text{ in}^4$

Area= 5.29 in^2 Wt/Ft= 6.10 lb



OFFSHORE SPARS USA
50200 E. RUSSELL SCHMIDT BLVD.
CHESTERFIELD TWP., MI 48061 USA
TEL: 586-598-4700
FAX: 586-598-4705

OFFSHORE SPARS EUROPE
OY OFFSHORE SPARS AB
68600 JAKOBYSTAD, FINLAND
TEL: 359-6-7888900
FAX: 359-6-7888919

OFFSHORE SPARS WEST
617 38TH STREET
MANHATTAN BEACH, CA 90266 USA
TEL: 310-939-9853
FAX: 310-939-9863

#9257 Extrusion