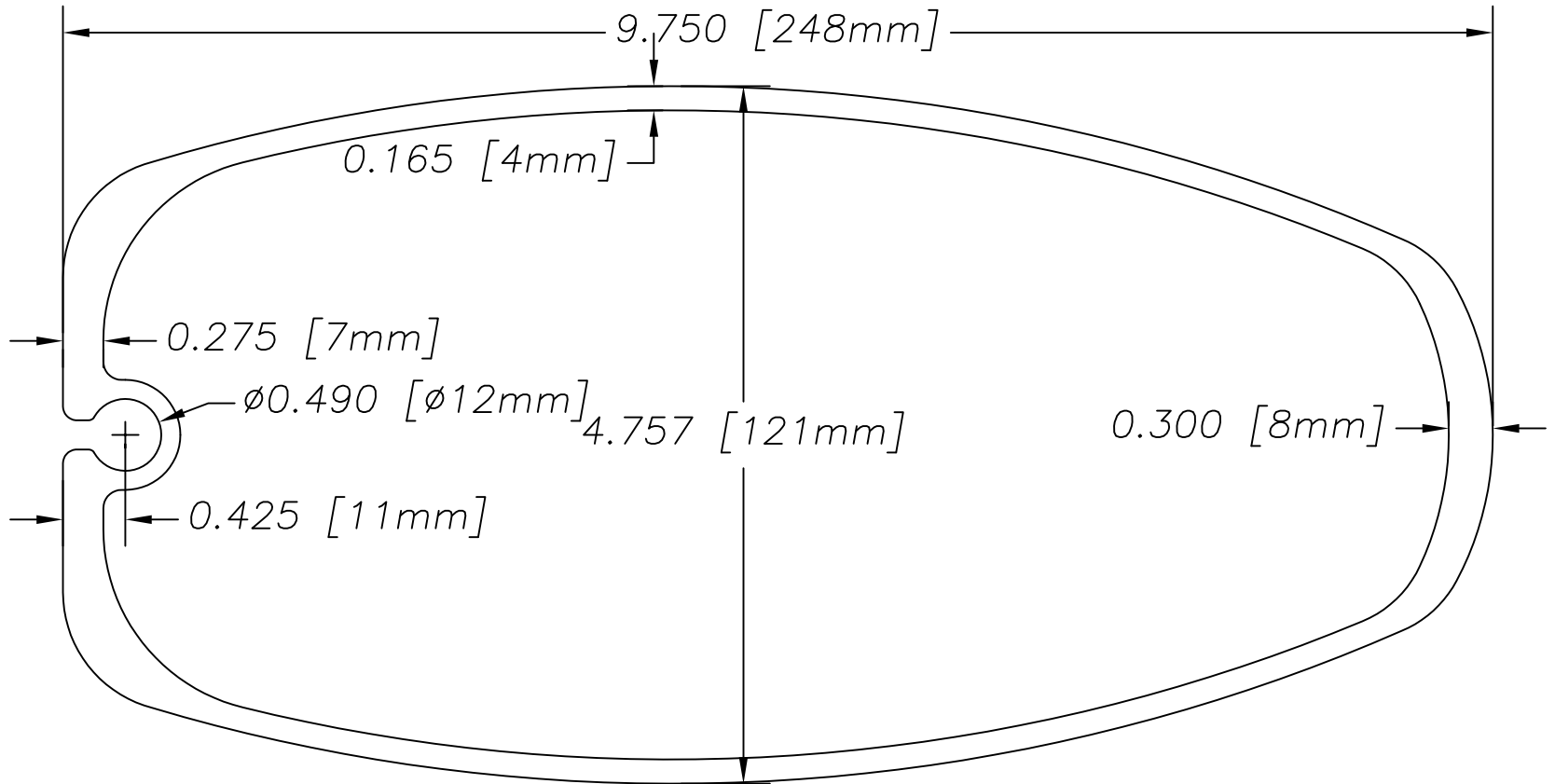




#9747 Extrusion

$I_{xx}=61.17 \text{ in}^4$   $I_{yy}=14.02 \text{ in}^4$

Area= $5.02 \text{ in}^2$  Wt/Ft= $5.84 \text{ lb}$



OFFSHORE SPARS USA  
50200 E. RUSSELL SCHMIDT BLVD.  
CHESTERFIELD TWP., NJ 48061 USA  
TEL: 586-598-4700  
FAX: 586-598-4705

OFFSHORE SPARS EUROPE  
OY OFFSHORE SPARS AB  
68600 JAKOBYSTAD, FINLAND  
TEL: 359-6-7888900  
FAX: 359-6-7888919

OFFSHORE SPARS WEST  
617 36TH STREET  
MANHATTAN BEACH, CA 90266 USA  
TEL: 310-939-9853  
FAX: 310-939-9863

#9747 Extrusion